



INSTRUCTION MANUAL
FOR Floor Mounted Vertical Material Rack
MODEL NUMBER: SR-V



VESTIL MANUFACTURING CORP.

2999 NORTH WAYNE STREET, PO BOX 507, ANGOLA, IN 46703

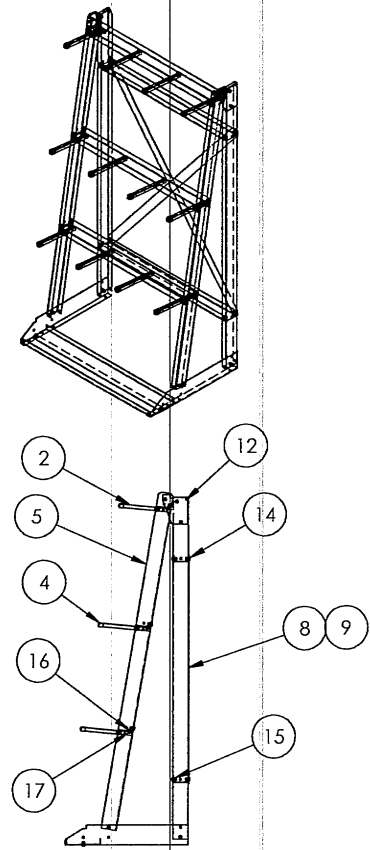
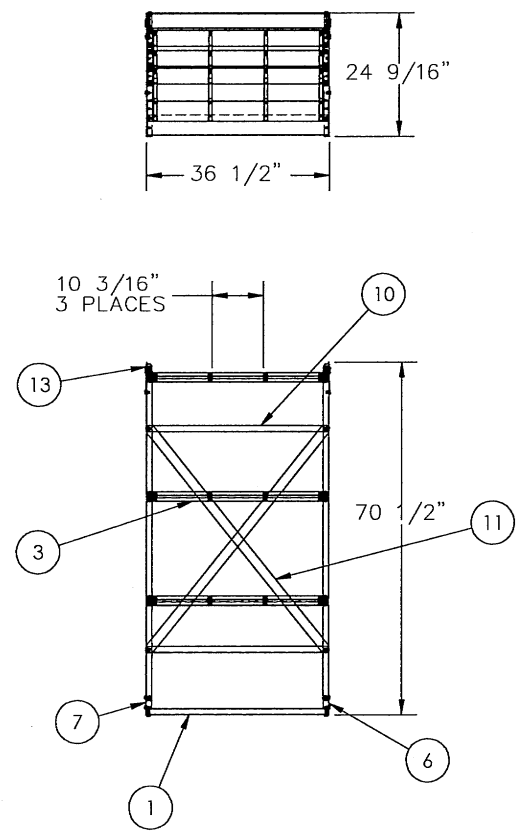
TELEPHONE: (260) 665-7586 -OR- TOLL FREE (800) 348-0868

FAX: (260) 665-1339

URL: WWW.VESTILMFG.COM EMAIL: SALES@VESTIL.COM

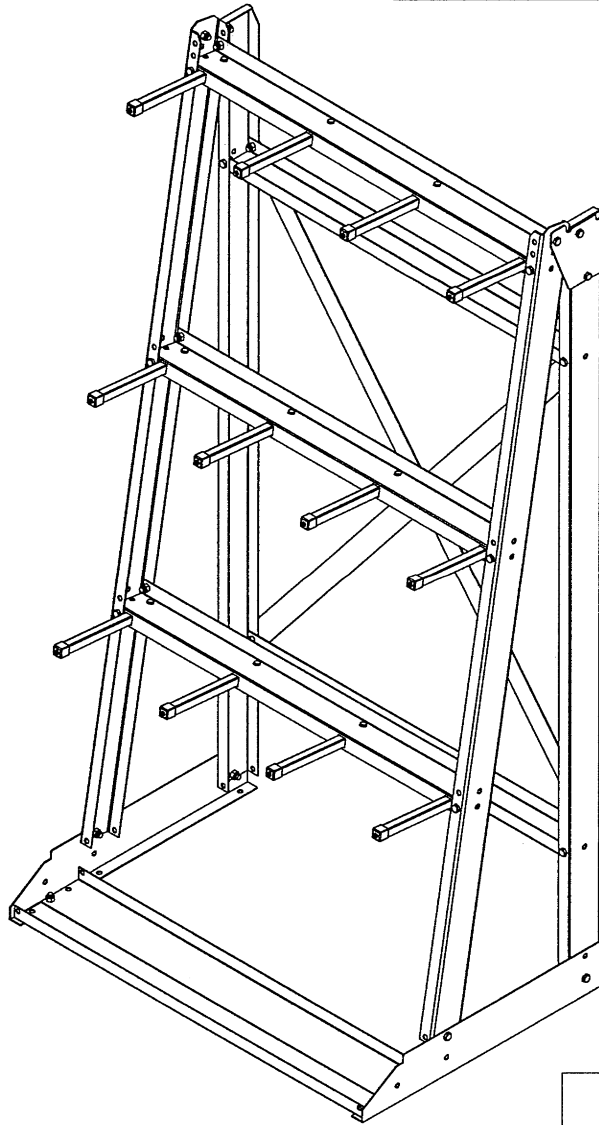
REVISIONS				
ECR	REV.	DESCRIPTION	DATE	INITIAL

ITEM NO.	PART NUMBER	DESCRIPTION	QTY.
1	31-001-101-A	BASE PLATE, STORAGE RACK, SR-V	2
2	31-001-101-B	BAR, HANGER, STORAGE RACK, SR-V	12
3	31-001-101-C	HORIZONTAL SUPPORT BAR, STORAGE RACK, SR-V	3
4	31-001-101-D	CAP, STORAGE RACK, SR-V	12
5	31-001-101-E	ANGLED BAR, STORAGE RACK, SR-V	2
6	31-001-101-F	SIDE PLATE, RIGHT, STORAGE RACK, SR-V	1
7	31-001-101-G	SIDE PLATE, LEFT, STORAGE RACK, SR-V	1
8	31-001-101-I	VERTICAL BEAM, RIGHT, STORAGE RACK, SR-V	1
9	31-001-101-H	VERTICAL BEAM, RIGHT, STORAGE RACK, SR-V	1
10	31-001-101-J	HORIZONTAL SUPPORT BAR, REAR, STORAGE RACK, SR-V	2
11	31-001-101-K	ANGLED CROSS BEAM, STORAGE RACK, SR-V	2
12	31-001-101-M	SIDE PLATE, RIGHT, STORAGE RACK, SR-V	1
13	31-001-101-N	SIDE PLATE, LEFT, STORAGE RACK, SR-V	1
14	31-001-101-L	LARGE HEX BOLT, STORAGE RACK, SR-V	32
15	31-001-101-O	LARGE HEX LOCK NUT, STORAGE RACK, SR-V	32
16	31-001-101-P	SMALL HEX BOLT, STORAGE RACK, SR-V	12
17	31-001-101-Q	SMALL HEX LOCK NUT, STORAGE RACK, SR-V	12



<p>PROPRIETARY AND CONFIDENTIAL THE INFORMATION CONTAINED IN THIS DRAWING IS THE SOLE PROPERTY OF VESTIL MANUFACTURING CO. ANY REPRODUCTION IN PART OR AS A WHOLE WITHOUT THE WRITTEN PERMISSION OF VESTIL MANUFACTURING CO. IS PROHIBITED.</p>	UNLESS OTHERWISE SPECIFIED: REMOVE ALL BURRS AND SHARP EDGES		Vestil Manufacturing Co.			
	DIMENSIONS ARE IN INCHES					
	CONCENTRIC	.006 TIR	.060 TIR	DESCRIPTION: STORAGE RACK		
	ANGLES	± 0° 30'	± 1° 0'	PRODUCT MODEL NO: SR-V		
DECIMALS	x.xxx ± .005		DRAWN BY:	DATE:	SCALE: 1:24	
FRACTIONS	x.xx ± .010		T. MOORE	05/18/09	SIZE B	
TOLERANCES	x.x ± .025	± .015	MATERIAL:			
COMMENTS:	± 1/32	± 1/16	SHEET 1 OF 1			
DO NOT SCALE DRAWING		DWG. NO.		REV		
		31-001-101				

REVISIONS				
ECR	REV.	DESCRIPTION	DATE	INITIAL



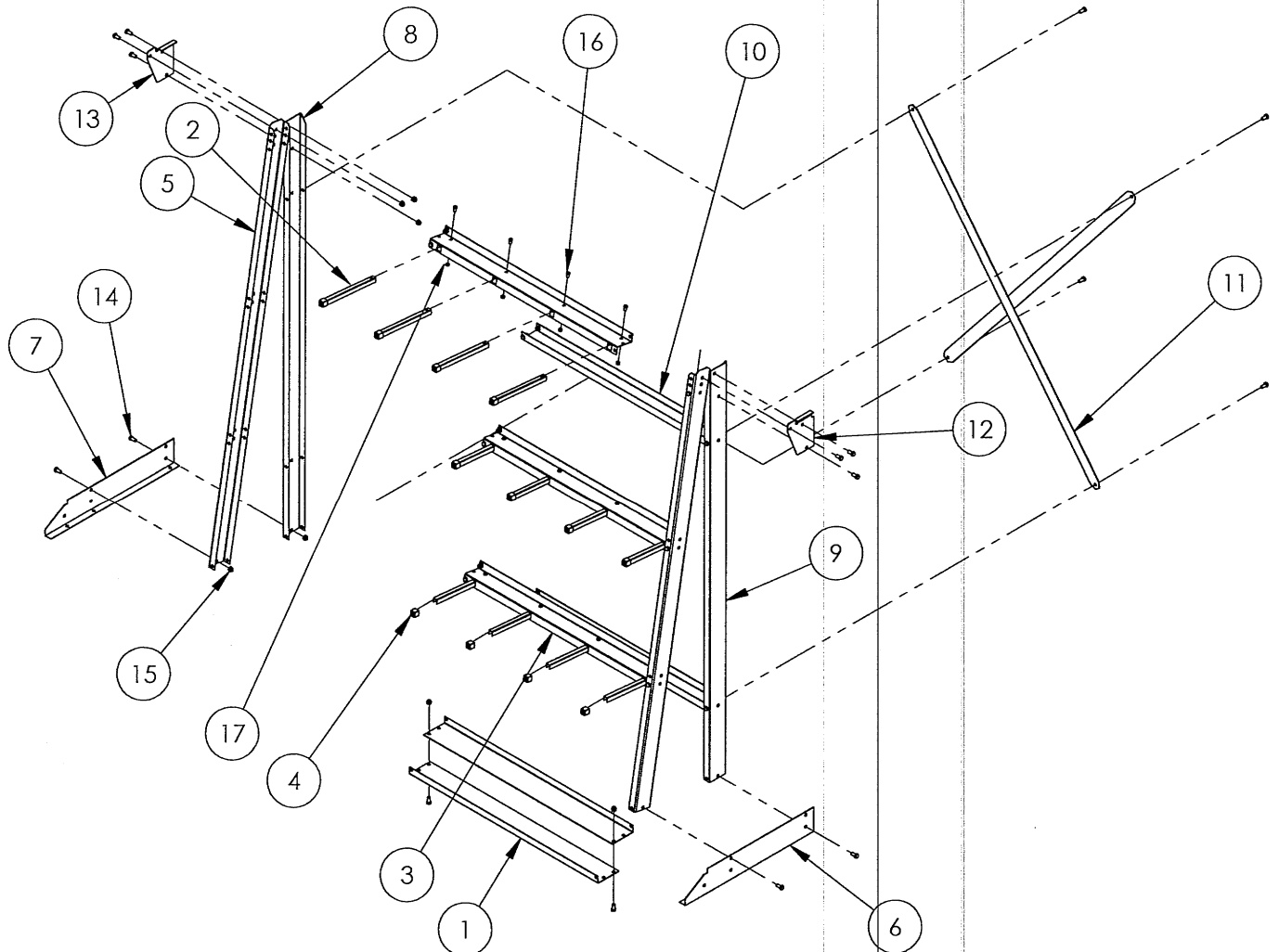
PROPRIETARY AND CONFIDENTIAL
 THE INFORMATION CONTAINED IN THIS DRAWING IS THE SOLE PROPERTY OF VESTIL MANUFACTURING CO. ANY REPRODUCTION IN PART OR AS A WHOLE WITHOUT THE WRITTEN PERMISSION OF VESTIL MANUFACTURING CO. IS PROHIBITED.

UNLESS OTHERWISE SPECIFIED: REMOVE ALL BURRS AND SHARP EDGES		
DIMENSIONS ARE IN INCHES		
CONCENTRIC	.006 TIR	.060 TIR
ANGLES	± 0° 30'	± 1° 0'
	x.xxx ± .005	
	x.xx ± .010	
DECIMALS	x.x ± .025	± .015
FRACTIONS	± 1/32	± 1/16
TOLERANCES	MACHINE	WELDMENT
COMMENTS:		
DO NOT SCALE DRAWING		

Vestil Manufacturing Co.			
DESCRIPTION: 3D VIEW, STORAGE RACK			
PRODUCT MODEL NO: SR-V			
DRAWN BY: T. MOORE	DATE: 05/18/09	SCALE: 1:14	SIZE A
MAT'L:			REV
SHEET 1 OF 1		DWG. NO. 31-005-101	

REVISIONS				
ECR	REV.	DESCRIPTION	DATE	INITIAL

ITEM NO.	PART NUMBER	DESCRIPTION	QTY.
1	31-001-101-A	BASE PLATE, STORAGE RACK, SR-V	2
2	31-001-101-B	BAR, HANGER, STORAGE RACK, SR-V	12
3	31-001-101-C	HORIZONTAL SUPPORT BAR, STORAGE RACK, SR-V	3
4	31-001-101-D	CAP, STORAGE RACK, SR-V	12
5	31-001-101-E	ANGLED BAR, STORAGE RACK, SR-V	2
6	31-001-101-F	SIDE PLATE, RIGHT, STORAGE RACK, SR-V	1
7	31-001-101-G	SIDE PLATE, LEFT, STORAGE RACK, SR-V	1
8	31-001-101-I	VERTICAL BEAM, RIGHT, STORAGE RACK, SR-V	1
9	31-001-101-H	VERTICAL BEAM, LEFT, STORAGE RACK, SR-V	1
10	31-001-101-J	HORIZONTAL SUPPORT BAR, REAR, STORAGE RACK, SR-V	2
11	31-001-101-K	ANGLED CROSS BEAM, STORAGE RACK, SR-V	2
12	31-001-101-M	SIDE PLATE, RIGHT, STORAGE RACK, SR-V	1
13	31-001-101-N	SIDE PLATE, LEFT, STORAGE RACK, SR-V	1
14	31-001-101-L	LARGE HEX BOLT, STORAGE RACK, SR-V	32
15	31-001-101-O	LARGE HEX LOCK NUT, STORAGE RACK, SR-V	32
16	31-001-101-P	SMALL HEX BOLT, STORAGE RACK, SR-V	12
17	31-001-101-Q	SMALL HEX LOCK NUT, STORAGE RACK, SR-V	12



PROPRIETARY AND CONFIDENTIAL
THE INFORMATION CONTAINED IN THIS DRAWING IS THE SOLE PROPERTY OF VESTIL MANUFACTURING CO. ANY REPRODUCTION IN PART OR AS A WHOLE WITHOUT THE WRITTEN PERMISSION OF VESTIL MANUFACTURING CO. IS PROHIBITED.

UNLESS OTHERWISE SPECIFIED: REMOVE ALL BURRS AND SHARP EDGES		
DIMENSIONS ARE IN INCHES		
CONCENTRIC	.006 TIR	.060 TIR
ANGLES	± 0° 30'	± 1° 0'
DECIMALS	x.xxx ± .005	x.xx ± .010
FRACTIONS	± 1/32	± 1/16
TOLERANCES	MACHINE	WELDMENT
COMMENTS:		
DO NOT SCALE DRAWING		

Vestil Manufacturing Co.

DESCRIPTION:
EXPLODED VIEW, STORAGE RACK

PRODUCT MODEL NO: SR-V

DRAWN BY: T. MOORE	DATE: 05/18/09	SCALE: 1:24	SIZE A
-----------------------	-------------------	-------------	------------------

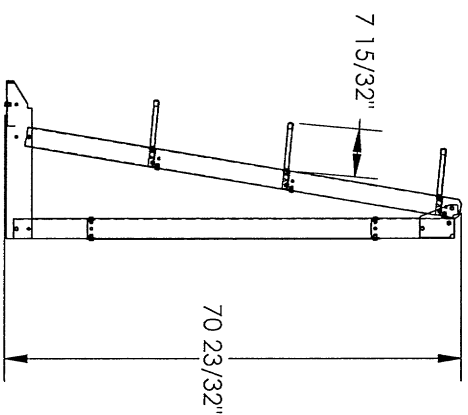
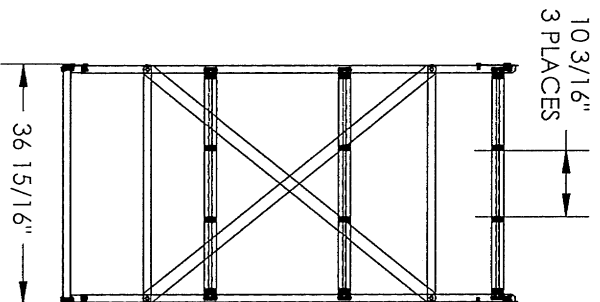
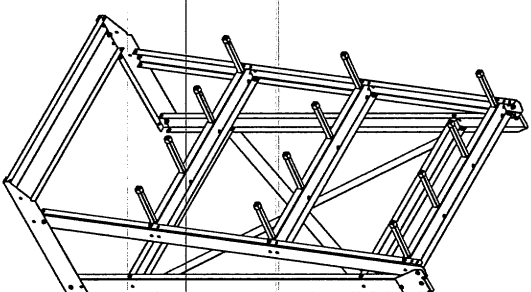
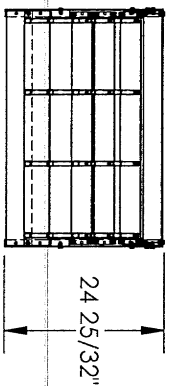
MAT'L:

SHEET 1 OF 1	DWG. NO. 31-006-101	REV
--------------	-------------------------------	-----

STORAGE RACK-SR-V

ANY ADDITIONS, DELETIONS, OR OMISSIONS MUST BE CORRECTED ON THISDRAWING AS THIS DRAWING WILL BE CONSIDERED ALL INCLUSIVE

APPROX WEIGHT: 67.41 lbs.
DOES NOT INCLUDE WEIGHT OF POWER OR PACKAGING!!!



ALL GRAPHICS PROVIDED ARE FOR REFERENCE ONLY. IF CERTAIN DIMENSIONS ARE CRITICAL PLEASE VERIFY THOSE DIMENSIONS WITH YOUR SALESPERSON

STANDARD FEATURES

MODEL NUMBER IS: SR-V
MATERIAL IS: GALVANIZED STEEL
OVERALL WIDTH IS: 36 15/16"
OVERALL LENGTH IS: 24 25/32"
OVERALL HEIGHT IS: 70 23/32"
NUMBER OF STORAGE BAYS IS: 3
DISTANCE BETWEEN RODS IS: 10 3/16"
USABLE ROD LENGTH IS: 7 15/32"

SPECIAL FEATURES

NONE

APPROVAL		<p>I, THE UNDERSIGNED, AGREE THAT THE PRODUCT AS REPRESENTED SATISFIES DESIGN AND DIMENSION REQUIREMENTS. I ALSO ACKNOWLEDGE MY DUTY TO CONFIRM PRODUCT AND INSTALLATION COMPLIANCE WITH ALL APPLICABLE FEDERAL, STATE AND LOCAL REGULATIONS AND STANDARDS. ALL SPECIAL UNITS ARE NON-RETURNABLE</p> <p>[] As drawn [] As marked</p>	
Signed: _____		Date: _____	
LEAD TIME WILL START UPON RECEIPT OF SIGNED APPROVAL DRAWING			
DISTRIBUTOR'S NAME:		P.O.#	
VESTIL MANUFACTURING		X	
DRAWN BY:		W.O.#	
T. MOORE		X	
DATE:		SALES:	
05/20/09		X	
SCALE: 1:28		FILE NAME:	
REFERENCE:		31-007-101	
X		QUOTE #	
X		X	

DWG NO: 31-008-101

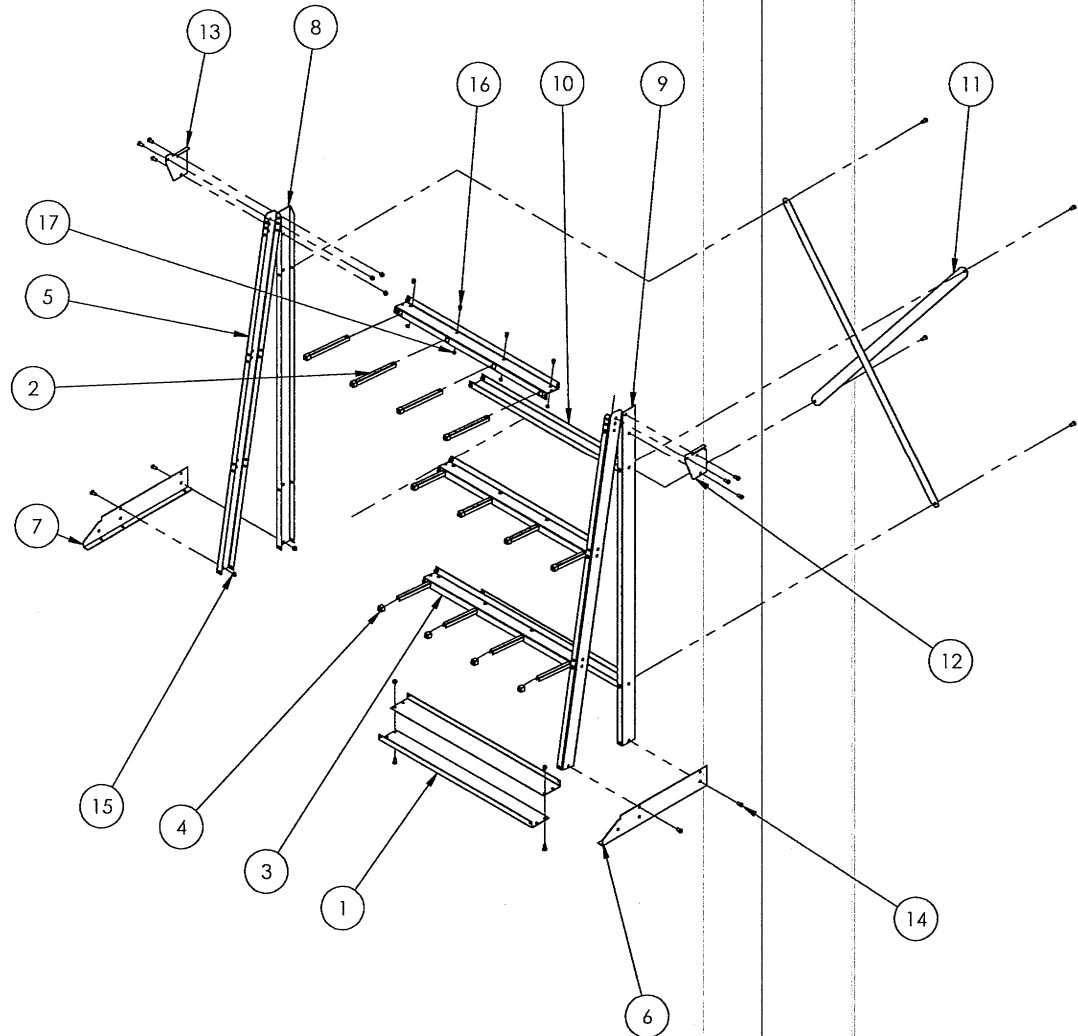
LOCATION: K:\ARCHIVE\31-40\

MODEL: 31-001-101

WEIGHT: 67.41

REVISIONS				
ECR	REV.	DESCRIPTION	DATE	INITIAL

ITEM NO.	PART NUMBER	DESCRIPTION	STOCK SIZE	QTY.
D 1	31-001-101-A	BASE PLATE, STORAGE RACK, SR-V	4" x 1.15" x 36"	2
2	31-001-101-B	BAR, HANGER, STORAGE RACK, SR-V	.7" x .7" x 10.125"	12
3	31-001-101-C	HORIZONTAL SUPPORT BAR, STORAGE RACK, SR-V	2.84" x 2.38" x 37.76"	3
4	31-001-101-D	CAP, STORAGE RACK, SR-V	.805" x .805" x .85"	12
5	31-001-101-E	ANGLED BAR, STORAGE RACK, SR-V	3" x 1.175" x 68.1875"	2
C 6	31-001-101-F	SIDE PLATE, RIGHT, STORAGE RACK, SR-V	4" x 1.1" x 24.5"	1
7	31-001-101-G	SIDE PLATE, LEFT, STORAGE RACK, SR-V	1.1" x 4" x 24.5"	1
8	31-001-101-I	VERTICAL BEAM, RIGHT, STORAGE RACK, SR-V	3.1" x 1.12" x 68.1875"	1
9	31-001-101-H	VERTICAL BEAM, RIGHT, STORAGE RACK, SR-V	3.1" x 1.12" x 68.1875"	1
10	31-001-101-J	HORIZONTAL SUPPORT BAR, REAR, STORAGE RACK, SR-V	2.93" x 1.22" x 36"	2
B 11	31-001-101-K	ANGLED CROSS BEAM, STORAGE RACK, SR-V	.075" x 1.875" x 57.5625"	2
12	31-001-101-M	SIDE PLATE, RIGHT, STORAGE RACK, SR-V	.1" x 5" x 5.9"	1
13	31-001-101-N	SIDE PLATE, LEFT, STORAGE RACK, SR-V	.1" x 5" x 5.9"	1
14	31-001-101-L	LARGE HEX BOLT, STORAGE RACK, SR-V	XXXX	32
A 15	31-001-101-O	LARGE HEX LOCK NUT, STORAGE RACK, SR-V	XXXX	32
16	31-001-101-P	SMALL HEX BOLT, STORAGE RACK, SR-V	XXXX	12
17	31-001-101-Q	SMALL HEX LOCK NUT, STORAGE RACK, SR-V	XXXX	12



Vestil Manufacturing Co. MODEL NO: SR-V DESCRIPTION: FINAL ASS'Y W/PARTS LIST DRAWN BY: T. MOORE DWG. NO: 31-008-101

8 7 6 5 4 3 2 1